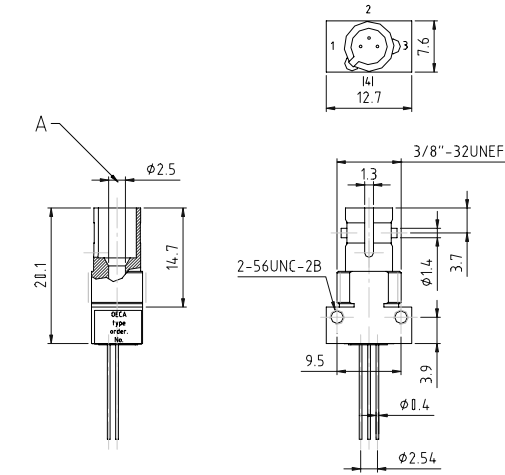


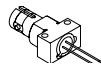
OECA Standard housing
LED, VCSEL, RCLED; PIN, APD; PINpreamp

OECA-ST100

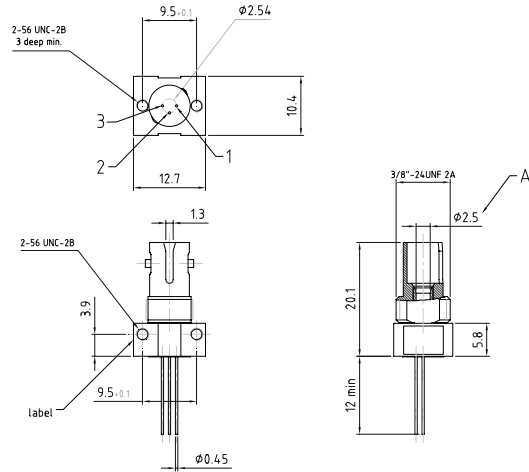


A - tolerance grade 3, acc. to DIN EN 61754-2
 tolerances acc. to DIN ISO 2768mH
 pinout acc. to specification
 all dimensions in mm

Accessories: dust cover
 nut 3/8"-32UNEF
 washer 3/8"
 2x screw 2-56UNC



OECA-ST122

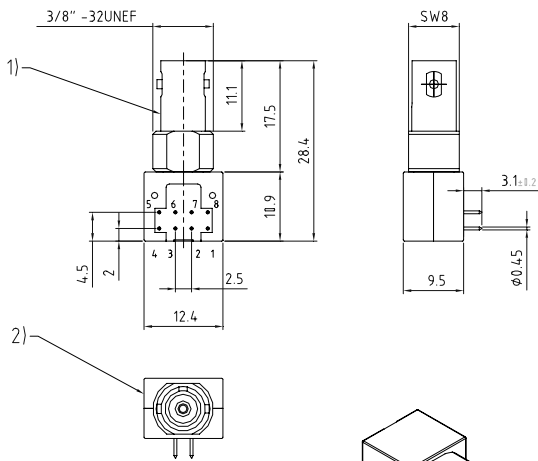


A - tolerance grade 3 acc. to DIN EN 61754-2
 receptacle BFOC/25
 tolerances acc. to DIN ISO 2768mH
 Pinout acc. to specification
 all dimensions in mm

Accessories: dust cover
 nut 3/8"-24 UNF
 washer 3/8"
 2x screw 2-56 UNC 2B



OECA-ST146

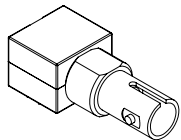


1) ST metal flange acc. to IEC / DIN EN 61754-2
 sleeve grade 3
 2) housing PA6.6 black

Pinout acc. to specification
 tolerances +/- 0.1 unless otherwise stated

accessories: dust cap

all dimension in mm



Product specifications are subject to change without notice.
 Copyright 2009, OECA GmbH. All Rights reserved.