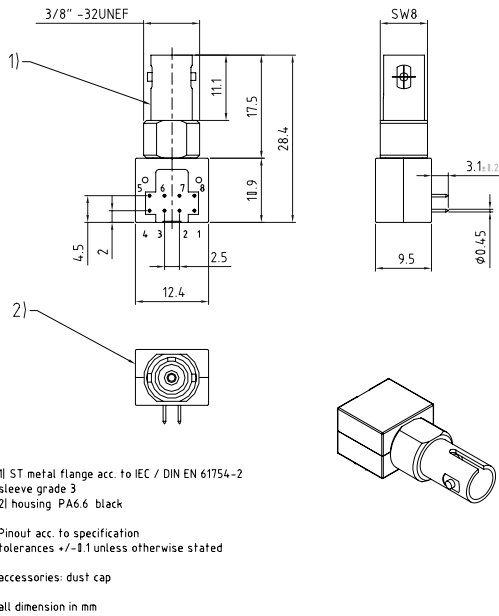
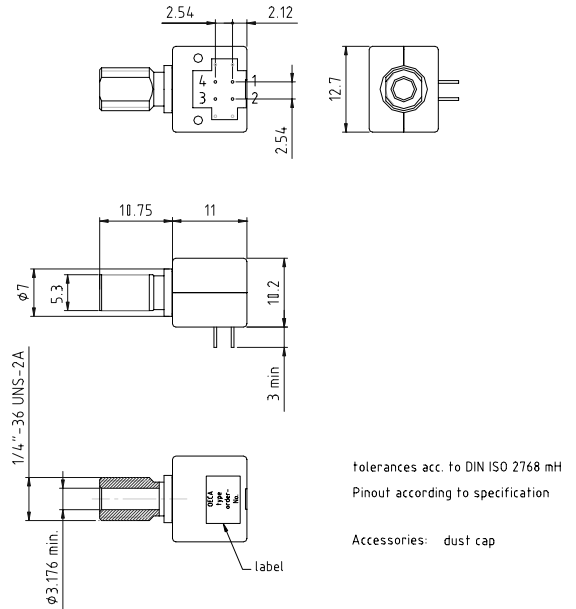


OECA Standard housing LED, VCSEL, RCLED; PIN, APD; PINpreamp

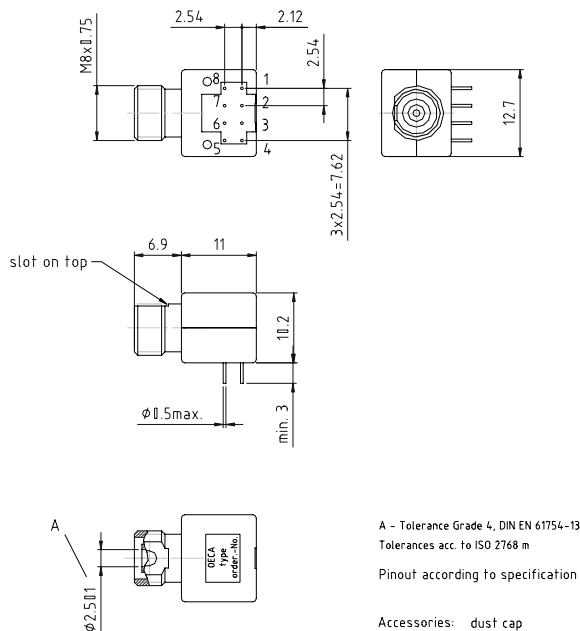
OECA-ST146



OECA-SM140



OECA-FC140



Product specifications are subject to change without notice.
Copyright 2009, OECA GmbH. All Rights reserved.