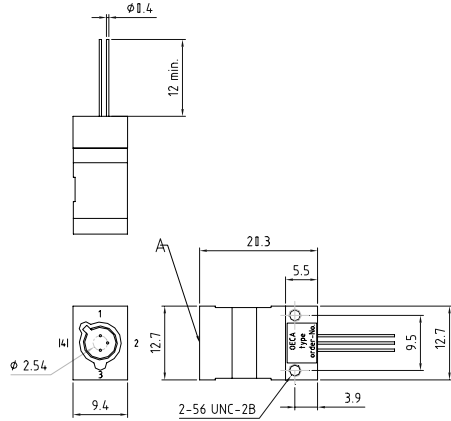


OECA Standard housing
LED, VCSEL, RCLED; PIN, APD; PINpreamp

OECA-SC160



A - ferrule sleeve
 Tolerance Grade 3, IEC 61754-4 A2

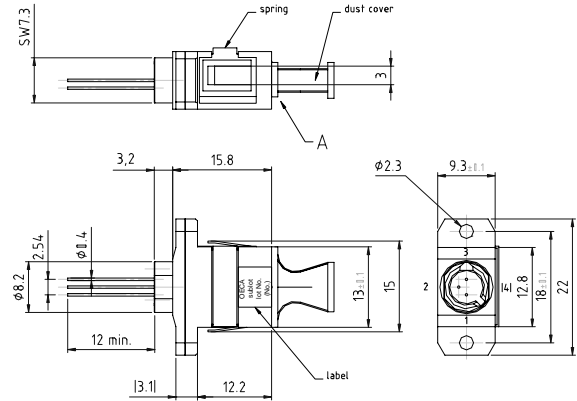
Pinout acc. to specification
 tolerances acc. to DIN ISO 2768mH

all dimensions in mm

Accessories: dust cover
 2x screw 2-56 UNC-2B



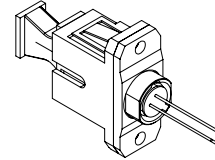
OECA-SC201



A - ferrule sleeve
 Tolerance Grade 3, IEC 61754-4 A2

Pinout acc. to specification
 tolerances acc. to DIN ISO 2768mH

Accessories: dust cover
 2x screw M2x8
 2x nut M2 DIN 934
 color code: green RAL 6029



Product specifications are subject to change without notice.
 Copyright 2009, OECA GmbH. All Rights reserved.