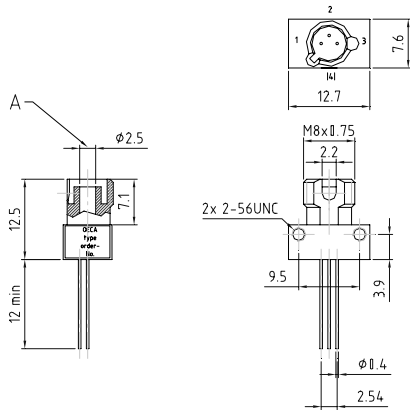


OECA Standard housing
LED, VCSEL, RCLED; PIN, APD; PINpreamp

OECA-FC100



A - $\phi 2.5$, tolerance grade 3, DIN EN 61754-13

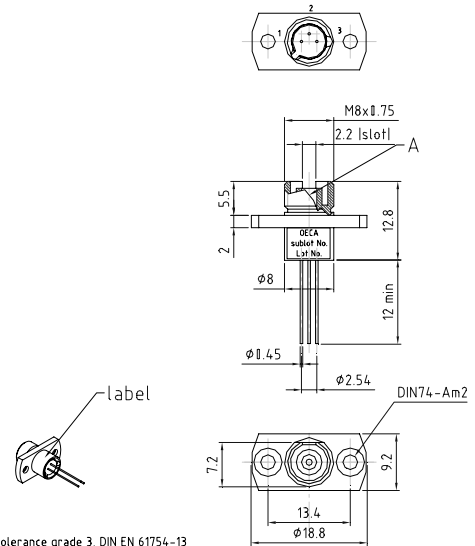
Tolerances acc. to DIN ISO 2768mH
 Pinout acc. to specification

all dimensions in mm

accessories:
 dust cap
 screw 2-56 UNC 12x1



OECA-FC200



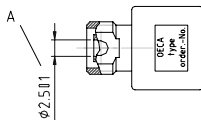
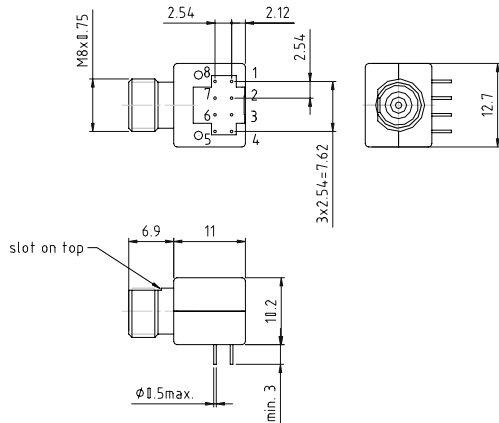
A - $\phi 2.5$, tolerance grade 3, DIN EN 61754-13

Tolerances acc. to DIN ISO 2768mH
 Pinout acc. to specification

all dimensions in mm

accessories: dust cover

OECA-FC140



A - Tolerance Grade 4, DIN EN 61754-13
 Tolerances acc. to ISO 2768 m

Pinout according to specification

Accessories: dust cap

Product specifications are subject to change without notice.
 Copyright 2009, OECA GmbH. All Rights reserved.