

## LED1300-1 OECA-ST100

## 1300nm LED

### Description

The LED1300-1 OECA-ST100 is a 1310nm LED in a ST-receptacle. The assembled TO-46 device is electrical isolated from the ST-receptacle ( maximum voltage 20V ) to protect the diode against ESD-damaging.

### Features

- 1310nm Surface Emitting LED
- Data rate up to 115 Mb/s
- Laser Class 1 <sup>note 1</sup>

### Applications

- Sensors
- Signal transmission



Device can differ from picture.  
For details and pin out please refer to the drawing

### Absolute Maximum Ratings

(T<sub>C</sub> = 25°C ± 2°C)

Parameter	Symbol	min.	max.	Unit
Reverse Voltage	V <sub>R</sub>		1.5	V
Peak Forward Current (duty cycle < 50%, f> 1MHz )	I <sub>FRM</sub>		125	mA
Operating Temperature	T <sub>OP</sub> = T <sub>C</sub>	-40	+85	°C
Storage Temperature	T <sub>stg</sub>	-40	+85	°C
Soldering Temperature / Soldering Time	T <sub>sold</sub> / t <sub>sold</sub>		260/10	°C/s

### Optical and Electrical Characteristics

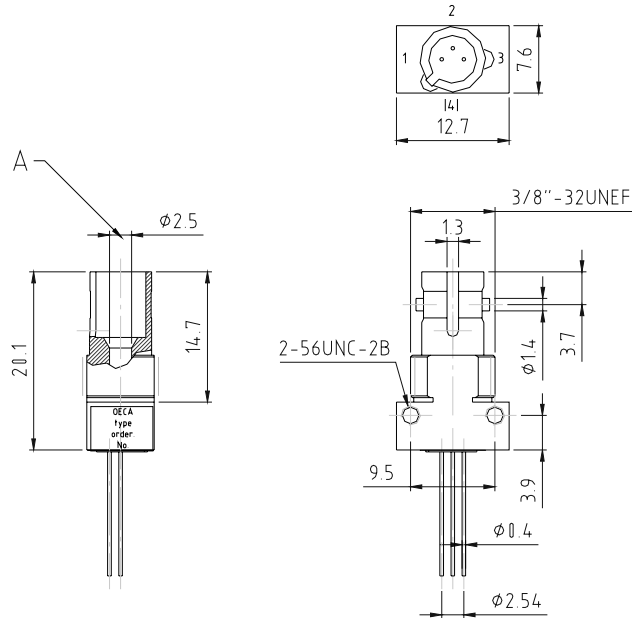
(T<sub>C</sub> = 25°C ± 2°C)

Parameter	Symbol	Condition	min.	typ.	max.	Unit
Fiber Coupled Power	P <sub>fiber</sub>	fiber: 62.5/125µm GI NA=0.275 fiber: 50/125µm GI NA=0.200 I <sub>F</sub> = 100 mA <sup>note2</sup>	30 15			µW
Peak Wavelength	λ <sub>p</sub>	I <sub>F</sub> = 100 mA	1260	1310	1350	nm
Spectral Width ( 3dB )	Δλ	I <sub>F</sub> = 100 mA		180	200	nm
Forward Voltage	V <sub>F</sub>	I <sub>F</sub> = 100 mA		1.25		V
Rise / Fall Time (10-90%)	t <sub>r</sub> / t <sub>f</sub>	I <sub>F</sub> = 100 mA			3	ns

Note 1: Operated within the allowed range according to product information

Note 2: Measured at the exit of 100 meters of fiber.

## Drawing

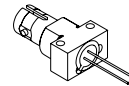


A - tolerance grade 3, acc. to DIN EN 61754-2

tolerances acc. to DIN ISO 2768mH  
pinout acc. to specification

all dimensions in mm

Accessories: dust cover  
nut 3/8"-32UNEF  
washer 3/8"  
2x screw 2-56UNC



## Pin-Out

Pin	LED1300-1
1	Anode
2	Cathode
3	Case

The diode chip is isolated from the case.

**Please note:** Information given in this product information is believed to be accurate and reliable. However no responsibility is assumed for the consequences of its use nor for any infringement of patents or other rights of third parties. No license is granted by implication or otherwise under any patent or patent rights of OECA or HIV GmbH. These products are sold only according to OECA or HIV GmbH's general conditions of sale, unless otherwise confirmed in writing by OECA or HIV GmbH. Product specifications are subject to change without notice.

For further information on technology, delivery terms and conditions and prices please contact your nearest OECA or HIV GmbH office or one of our representatives.

Copyright 2008, OECA Opto-Elektronische Komponenten und Applikations GmbH.  
All Rights reserved.