

1A850U1-1 OECA-ST100

Description

The 1A850U1-1 OECA-ST100 is a 850 nm Vertical Cavity Surface Emitting Laser (VCSEL) in a ST-receptacle. The assembled device is electrical isolated from the ST-receptacle (maximum voltage 20V) to protect the diode against ESD-damaging.

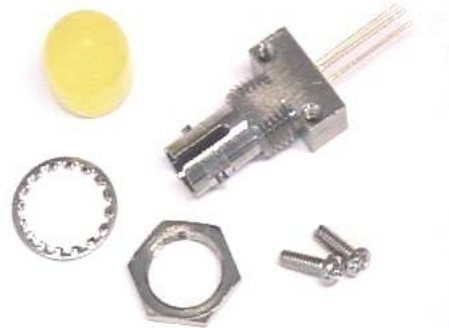
Applications

- Fiber Channel, Gigabit Ethernet, InfiniBand, ATM
- General applications

Features

- Wavelength $\lambda = 850$ nm
- Data rate > 2.5Gbps
- Laser Class 3B

850 nm High-Performance VCSEL



Device can differ from picture.
For details and pin out please refer to the drawing.

Absolute Maximum Ratings

($T_C = 20^\circ\text{C}$)

Parameter	Symbol	min.	max.	Unit
Reverse Voltage	V_R		8	V
Continuous Forward Current	I_F		15	mA
Operating Temperature	$T_{OP} = T_C$	-40	+85	$^\circ\text{C}$
Storage Temperature	T_{stg}	-40	+85	$^\circ\text{C}$
Soldering Temperature / Soldering Time	T_{sold} / t_{sold}		330/5	$^\circ\text{C/s}$

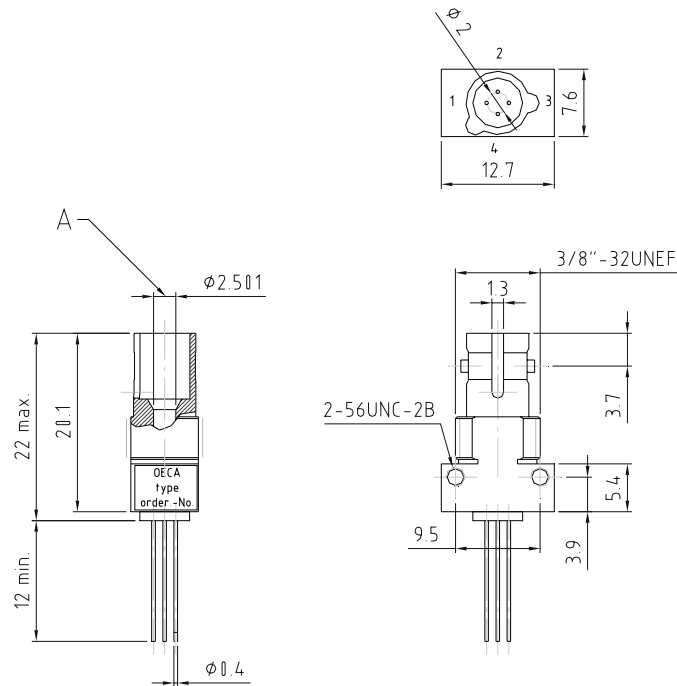
Optical and Electrical Characteristics

($T_C = 20^\circ\text{C}$)

Parameter	Symbol	Condition	min.	typ.	max.	Unit
Fiber Coupled Power	P_{fiber}	optimized for 50/125 μm NA = 0.2 $I_F = 9\text{mA}$		1000		μW
Peak Wavelength	λ_p	$I_F = 9\text{mA}$	835	850	860	nm
Spectral Bandwidth	$\Delta\lambda$	$I_F = 9\text{mA}$			1	nm
Forward Voltage	V_F	$I_F = 9\text{mA}$	1.8	2.0	2.2	V
Threshold Current	I_{th}				2.0	mA
Bandwidth 3dB	f_c		3.0			GHz

Parameter	Symbol	min.	typ.	max.	Unit
Thermal Resistance - Infinite Heatsink	R_{thcc}			1	K/mW
Temperature Coefficient - Wavelength	$d\lambda/dT_j$		0.07		nm/K

Drawing

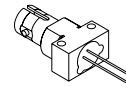


A - Tolerance Grade 3, DIN EN 61754-2

Tolerances acc. to DIN ISO 2768mH, unless otherwise stated

Pinout according to specification

Accessories: dust cover
nut 3/8"-32UNEF
washer 3/8"
2x screw 2-56UNC



Pin-Out

Pin	VCSEL 1A850U1-1
1	Cathode (-)
2	nc
3	Anode (+)
4	Case

Please note: Information given in this product information is believed to be accurate and reliable. However no responsibility is assumed for the consequences of its use nor for any infringement of patents or other rights of third parties. No license is granted by implication or otherwise under any patent or patent rights of OECA or HIV GmbH. These products are sold only according to OECA or HIV GmbH's general conditions of sale, unless otherwise confirmed in writing by OECA or HIV GmbH. Product specifications are subject to change without notice.

For further information on technology, delivery terms and conditions and prices please contact your nearest OECA or HIV GmbH office or one of our representatives.

Copyright 2009, OECA Opto-Elektronische Komponenten und Applikations GmbH.
All Rights reserved.