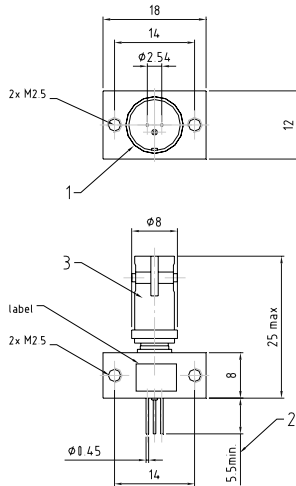


Product specifications are subject to change without notice.
Copyright 2009. OECA GmbH. All Rights reserved.

OECA Standard housings Laser devices - ST

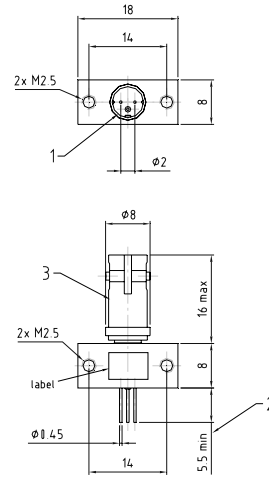
ST-PCB...C1 (SOT 148)



- 1 - pinout according to specification (Pin Out)
- 2 - typical length depends on used laser diode
- 3 - fiber optic receptacle interface-type BFOC2.5 (ST), sleeve grade 1 according to IEC 61754-2

tolerances acc. to DIN ISO 2768-m-H
all dimensions in mm

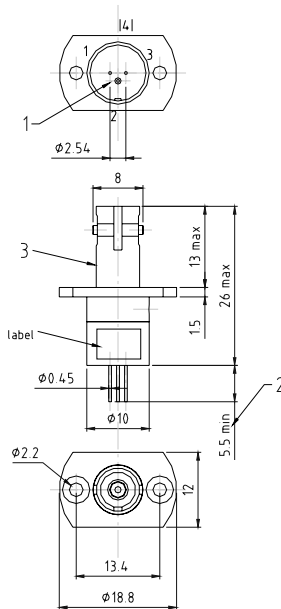
ST-PCB...C1 (SOT242)



- 1 - pinout according to specification
- 2 - typical length depends on used laser diode
- 3 - fiber optic receptacle interface-type BFOC2.5 (ST), sleeve grade 1 according to IEC 61754-2

tolerances acc. to DIN ISO 2768-m-H
all dimensions in mm

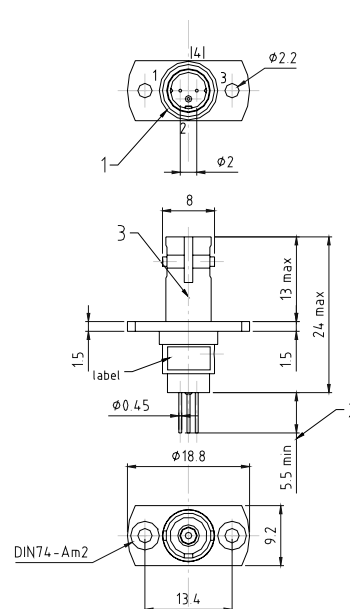
ST-Flange...C2 (SOT 148)



- 1 - pinout according to specification
- 2 - typical length depends on used laser diode
- 3 - fiber optical receptacle interface-type BFOC2.5 (ST), sleeve grade 1 according to IEC 61754-2

tolerances acc. to DIN ISO 2768-m-H

ST-Flange...C2 (SOT 242)



- 1 - pinout according to specification
- 2 - typical length depends on used laser diode
- 3 - fiber optical receptacle interface-type BFOC2.5 (ST), sleeve grade 1 according to IEC 61754-2

tolerances acc. to DIN ISO 2768-m-H