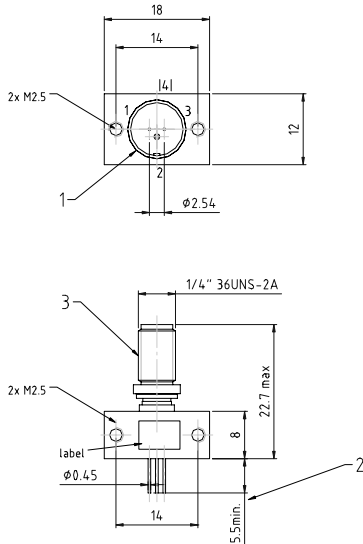


Product specifications are subject to change without notice.  
Copyright 2009. OECA GmbH. All Rights reserved.

## OECA Standard housings Laser devices - FSMA

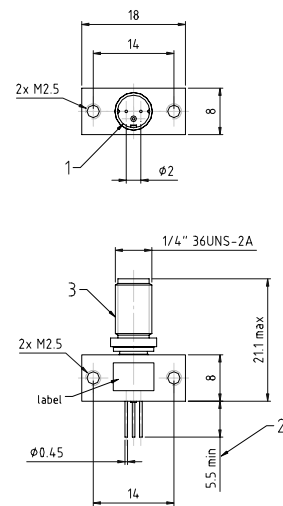
### FSMA-PCB...A1 (SOT 148)



- 1 - pinout according to specification
- 2 - typical length depends on used laser diode
- 3 - fiber optical receptacle interface-type F-SMA, sleeve  $\phi 0.175$  according to IEC 61754-22

tolerances acc. to DIN ISO 2768-m-H

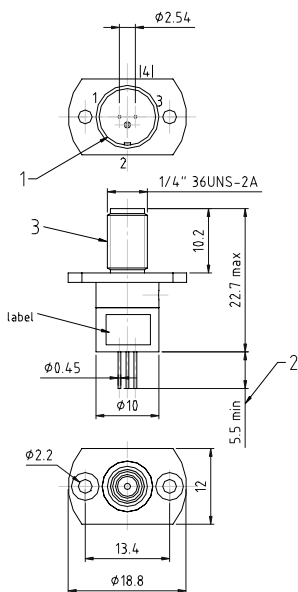
### FSMA-PCB...A1 (SOT 242)



- 1 - pinout according to specification
- 2 - typical length depends on used laser diode
- 3 - fiber optical receptacle interface-type F-SMA, sleeve  $\phi 0.175$  according to IEC 61754-22

tolerances acc. to DIN ISO 2768-m-H  
all dimensions in mm

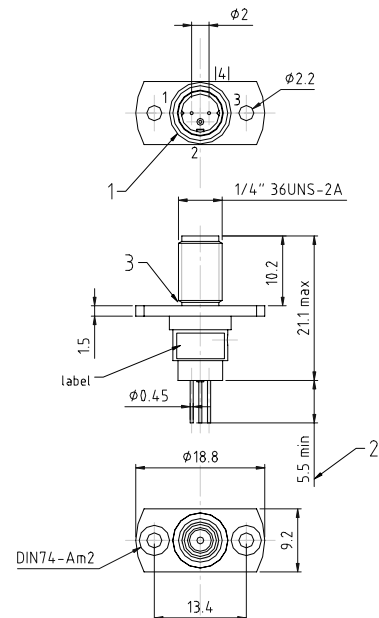
### FSMA-Flange...A2 (SOT 148)



- 1 - pinout according to specification
- 2 - typical length depends on used laser diode
- 3 - fiber optical receptacle interface-type F-SMA, sleeve  $\phi 0.175$  according to IEC 61754-22

tolerances acc. to DIN ISO 2768-m-H

### FSMA-Flange...A2 (SOT 242)



- 1 - pinout according to specification
- 2 - typical length depends on used laser diode
- 3 - fiber optical receptacle interface-type F-SMA, sleeve  $\phi 0.175$  according to IEC 61754-22

tolerances acc. to DIN ISO 2768-m-H

## OECA

Handwerkerstraße 13  
Phone: +49 (0) 3342 36880  
eMail: info@oeca.de

OPTO-ELEKTRONISCHE  
COMPONENTEN  
UND APPLIKATIONS GMBH  
15366 Hoppegarten  
Phone: +49 (0) 3342 3688 88  
Internet: [www.oeca.de](http://www.oeca.de)

represented by:

DIN EN ISO 9001:2000  
Certificate: TNO806290G

## HIV

Rosenstraße 1  
Phone: +49 (0) 6834 96070  
eMail: info@halbleiter-iv.de

## HALBLEITER - IMPORT UND VERTRIEBS GMBH

66787 Wadgassen  
Fax: +49 (0) 6834 9607 37  
Internet: [www.halbleiter-iv.de](http://www.halbleiter-iv.de)