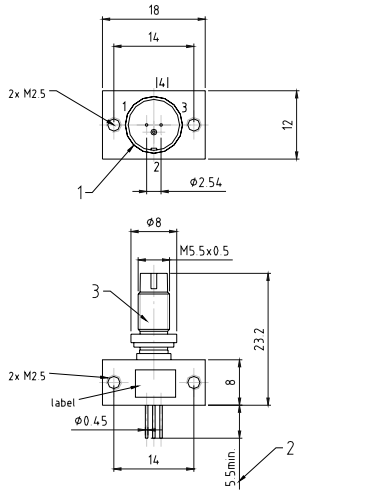


Product specifications are subject to change without notice.  
Copyright 2009. OECA GmbH. All Rights reserved.

## OECA Standard housings Laser devices - DIN

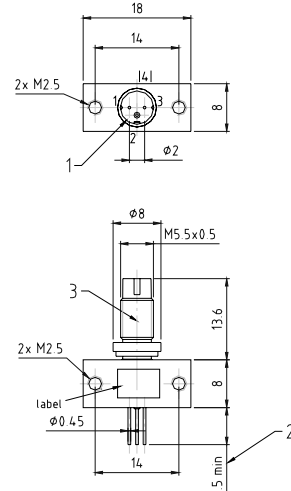
### DIN-PCB...D1 (SOT 148)



- 1 - pinout according to specification
- 2 - typical length depends on used laser diode
- 3 - fiber optical receptacle interface-type LSA, sleeve  $\varnothing 2.501$  min according to IEC 61754-3

tolerances acc. to DIN ISO 2768-m-H

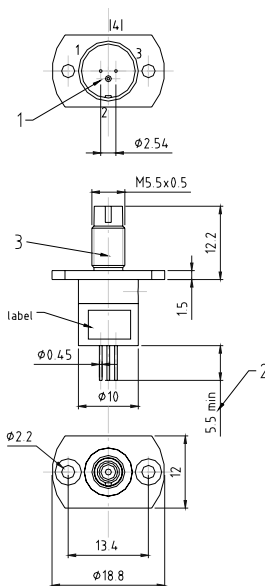
### DIN-PCB...D1 (SOT 242)



- 1 - pinout according to specification
- 2 - typical length depends on used laser diode
- 3 - fiber optical receptacle interface-type LSA, sleeve  $\varnothing 2.501$  min according to IEC 61754-3

tolerances acc. to DIN ISO 2768-m-H

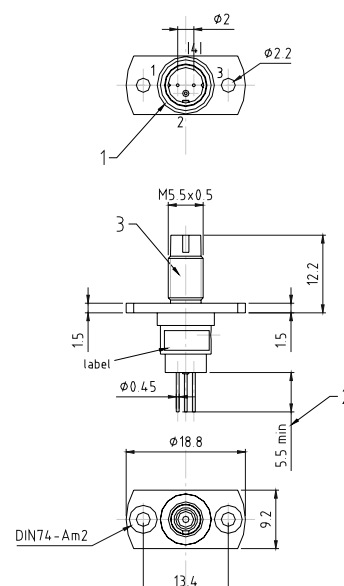
### DIN-Flange...D2 (SOT 148)



- 1 - pinout according to specification
- 2 - typical length depends on used laser diode
- 3 - fiber optical receptacle interface-type LSA, sleeve  $\varnothing 2.501$  min according to IEC 61754-3

tolerances acc. to DIN ISO 2768-m-H

### DIN-Flange...D2 (SOT 242)



- 1 - pinout according to specification
- 2 - typical length depends on used laser diode
- 3 - fiber optical receptacle interface-type LSA, sleeve  $\varnothing 2.501$  min according to IEC 61754-3

tolerances acc. to DIN ISO 2768-m-H