

## SFF Universal-Receptacle

The SFF Universal receptacle completing the universal connecting principle for LC-, MU-, LX-5 by active components. They guarantee the optimal coupling of light emitting or receiving devices with all types of fibers with LC-, MU- or LX-5 connectors with high repeatability and low insertion loss.

The assembly of LED, Vertical cavity surface emitting laser diodes (VCSEL) and edge emitting laser diodes is possible as well as the use of PIN diodes or photodiodes with preamplifier (PINTIA).

The components to be assembled can be defined by the customer according to his demands or can be offered as standard device.

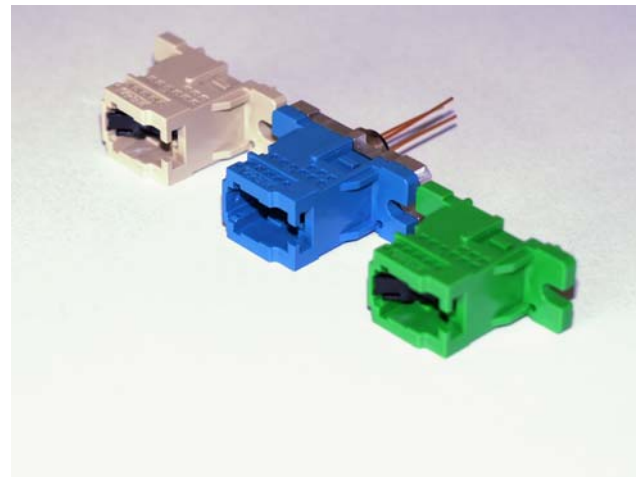
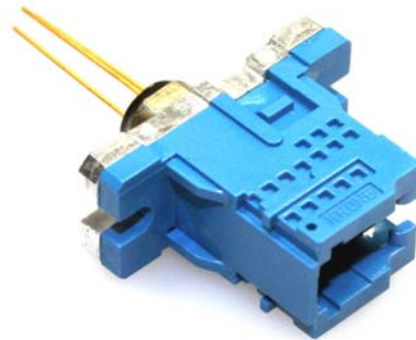
The selection of the active components can be supported by competent engineers of OECA

All receptacles are available for multimode and single mode connectors, with all usual types of polish. As an option they can be delivered with laser shutter and dust protection cap.

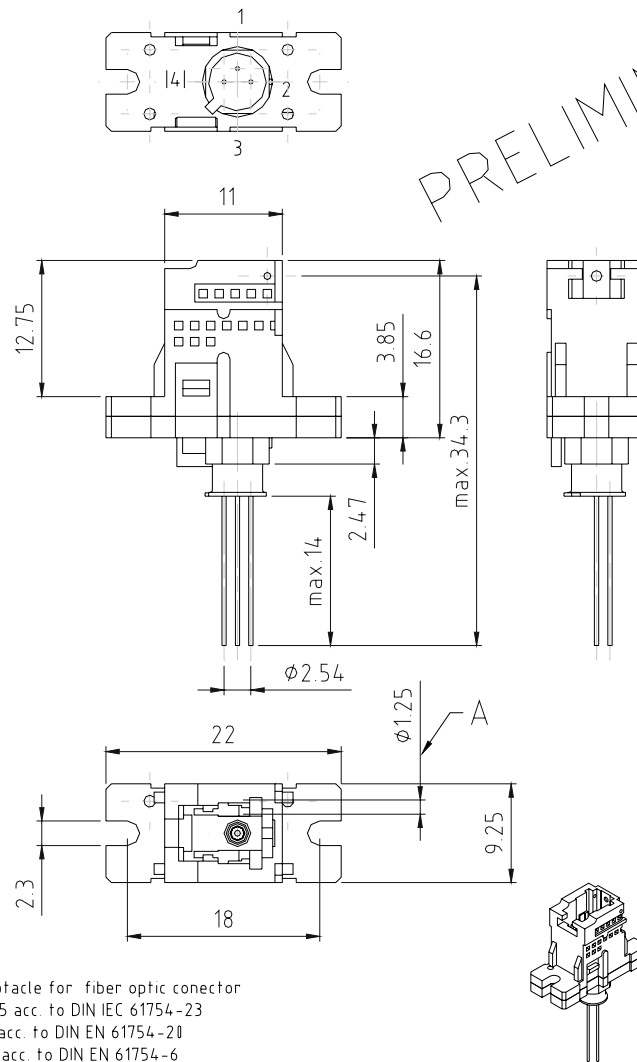
Because of the compact design of the receptacle they can be mounted directly side by side utilising a minimal pitch.

### Material:

- Housing and laser shutter- PEI
- Dust protection cap - TPE
- Sleeve (Ø 1,25 mm)  
for SM - ceramic  
for MM - ceramic or Phosphorus Bronze
- Coupling flange - metal (depending on demands Aluminum, Brass, Nickel Silver, or the like with different surfaces (t.b.d. by customer)



Multimode

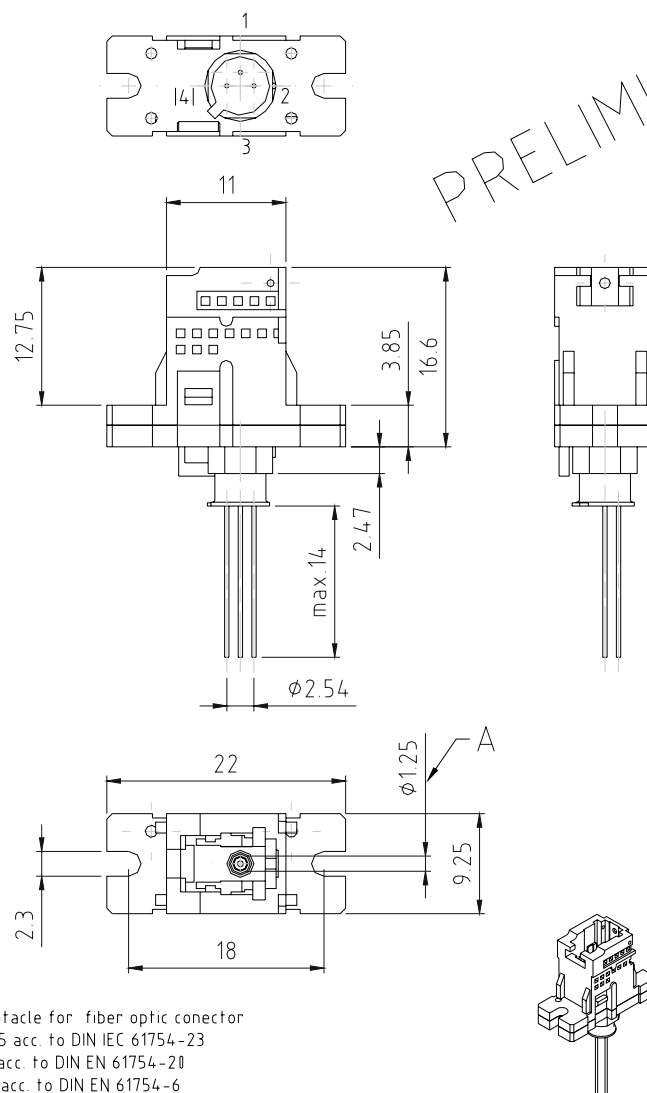


PRELIMINARY

receptacle for fiber optic connector  
- LX.5 acc. to DIN IEC 61754-23  
- LC acc. to DIN EN 61754-20  
- MU acc. to DIN EN 61754-6

A - sleeve grade 3  
tolerances acc. DIN ISO 2768-mH  
Pinout acc. to specification  
color code: beige  
accessories: dust cap

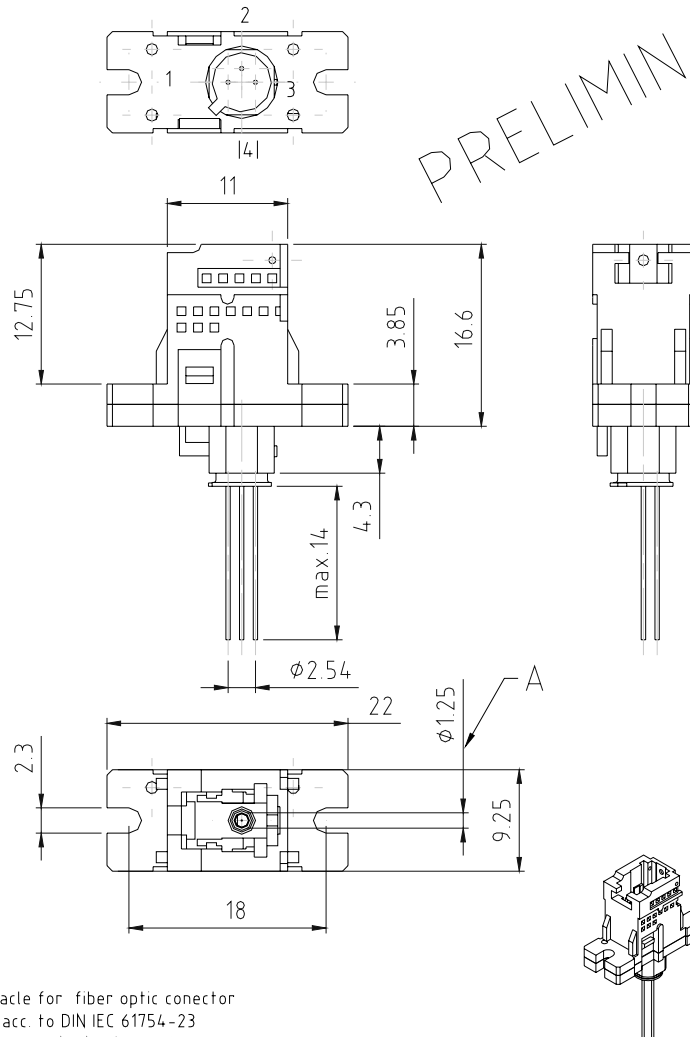
Singlemode



receptacle for fiber optic conector  
- LX.5 acc. to DIN IEC 61754-23  
- LC acc. to DIN EN 61754-20  
- MU acc. to DIN EN 61754-6

A - sleeve grade 1  
tolerances acc. DIN ISO 2768-mH  
Pinout acc. to specification  
color code: blue  
accessories: dust cap

Singlemode APC



receptacle for fiber optic connector  
- LX.5 acc. to DIN IEC 61754-23  
- LC acc. to DIN EN 61754-20  
- MU acc. to DIN EN 61754-6

A - sleeve grade 4  
tolerances acc. DIN ISO 2768-mH  
Pinout acc. to specification  
color code: green  
accessories: dust cap

**Please note:** Information given in this product information is believed to be accurate and reliable. However no responsibility is assumed for the consequences of its use nor for any infringement of patents or other rights of third parties. No license is granted by implication or otherwise under any patent or patent rights of OECA or HIV GmbH. These products are sold only according to OECA or HIV GmbH's general conditions of sale, unless otherwise confirmed in writing by OECA or HIV GmbH. Product specifications are subject to change without notice.

For further information on technology, delivery terms and conditions and prices please contact your nearest OECA or HIV GmbH office or one of our representatives.

Copyright 2004, OECA Opto-Elektronische Komponenten und Applikations GmbH.  
All Rights reserved.